

LED MR16 B2B - 35W 60D

Authorized Licensee for TOSHIBA trademark



1. Specification:

A. General Data

Model	Classic MR16 35W 60D 3000K B1
Product Code	00201760162A
P/N	MMR-16WAA0530-23
Rated Voltage	12 VDC/AC
Frequency	--
Rated Wattage	5 W
Deviation Tolerance of Wattage	±10 %
Power Factor	>0.6
Start On	<0.5S
Dimmable	NO
Beam Angle	60°
EI	0.16
Energy Class	A+
Safety requirements	CE
Applicable Environments	Dry and damp locations; Not suitable for totally enclosed fixtures
Incandescent Equivalent	35W
Base	GU5.3

* Dimmer P/N :Jung 266GDE 、 Gira 0302 00/01 、 Schneider UNICA 511 、 Busch 6513 U-102 、 Jung 225 T DE

* Dimming Range : 22%~100%

B. Light Data

Color	Warm White
Color Temperature (CCT)	3000 K
Rated Lumen Output*	350 lm
Color Rendering Index*	90
Efficacy*	70 lm/W
Color Consistency**	6 Step MacAdam Ellipse (6 SDCM)

* tolerance +/- 10% ** center point (0.43387, 0.40319)

C. Lifetime

(Supplied Voltage: DC/AC12V; Ambient Temperature: 15°C~40°C)

Lumen Maintenance Factor	70% of the rated lifetime
Rated Lifetime – L₇₀B₅₀	25,000 hrs
Switching Cycles	≥ 25,000

D. Temperature Operation

Normal operation temperature	-20°C ~ 40°C
Relative Humidity	10% ~ 90%

E. Geometric Data

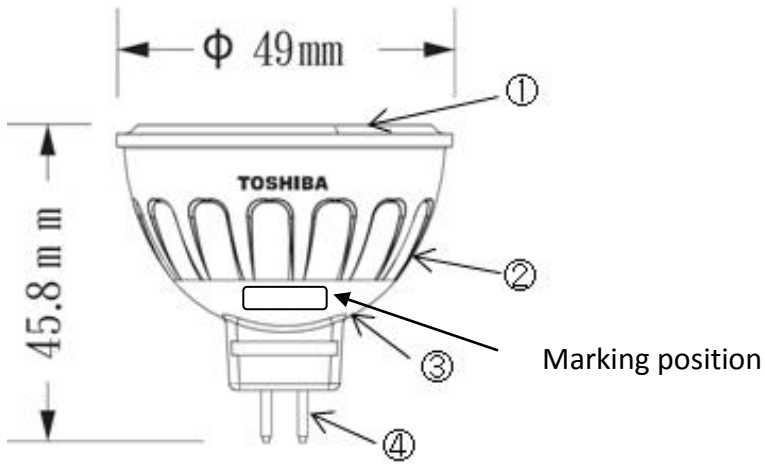
Maximum overall length	46 ± 2 mm
Maximum diameter	49 ± 2 mm
Mass	48 ± 5 g

F. Environmental relevant materials

Mercury (Hg)	Comply with RoHS Directive 2011/65/EU
Lead (Pb)	
Cadmium(Cd)	
Hexavalent Chromium(Cr6+)	
Polybrominated Biphenyls(PBBs)	
Polybrominated Diphenyl Ethers(PBDEs)	

2. Outline Drawing

Unit : mm

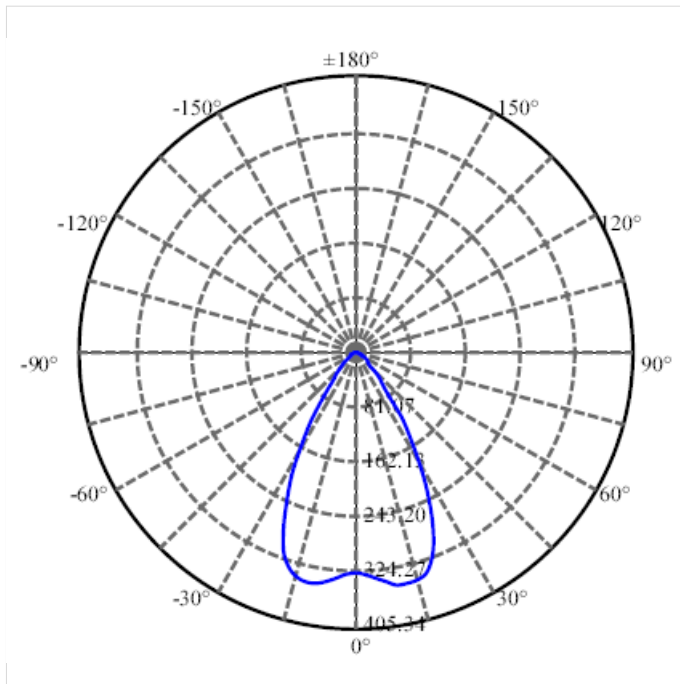


Material Information

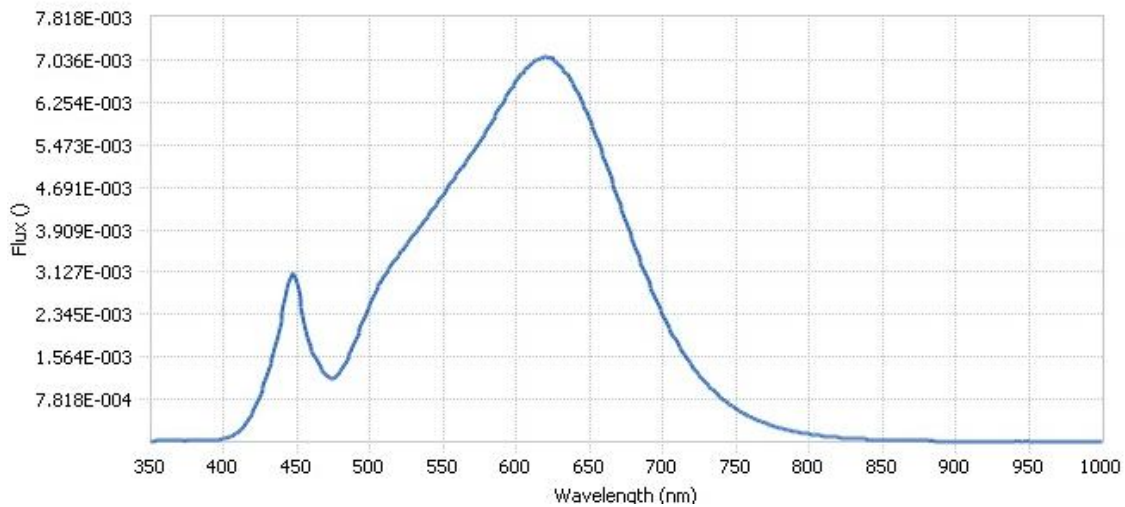
1. Cover: Plastic
2. Body-1: Plastic
3. Body-2: Plastic
4. Base: Metal

3. Light Distribution Curve

FWHM 60°



4. Spectrum Distribution



5. Warnings

Before replacing, turn off power and let lamp cool to avoid electrical shock or burn.

6. Cautions

Only to apply in dry or damp locations and most of open fixtures with lamp-holders that offer sufficient space (10 mm free air space). Not intended for use with emergency light fixtures or exit lights.

7. Notes

All characteristics are estimated at room temperature (25°C), free air burning, base up burning position and at rated voltage. In view of the complex manufacturing process for light above for the technical LED parameters are merely statistical values that do not necessarily correspond to the actual technic individual products may vary from the typical values.

8. Logistic information

Model	Classic MR16 35W 60D 3000K B1
Pieces per pack	N/A
Product Code	00201760162A
EAN code on pack	N/A
Size of pack	N/A
Weight per pack (G.W)	N/A
Packs per inner box	6
EAN code on inner box	4712947601627
ITF code on inner box	04712947601627
Size of inner box	150x100x65 mm
Weight per inner box(G.W)	0.33 kg
Packs per outer box	288
EAN code on outer box	N/A
ITF code on outer box	34712947601628
Size of outer box	470x420x290 mm
Weight per outer box(G.W)	17.5 kg

9. Conformity

2014/35/EU; Low Voltage Directive	EN 62471: 2008 、 EN 62493: 2010
2014/30/EU; EMC Directive	EN 55015: 2013 、 EN 61547: 2009
2009/125/EC; ErP Directive	EU Regulation 874/2012 、 1194/2012
2011/65/EU; RoHS Directive	EN 50581: 2012

10. Business Scheme (Countries)

A. Applicable countries

France, Italy, Belgium, Spain, Morocco, Portugal, Netherlands, Luxembourg, Germany, Turkey, Greece, Austria, Switzerland, Bulgaria, Poland, Hungary, Israel, Sweden, Norway, Ireland, England

Note : The requirement of each country will be reflected to the product specifications, when the products will be shipped to such country.

B. Manufacture

Unity Opto Technology Co., Ltd.

C. Sales channel

B2B flow and B2C