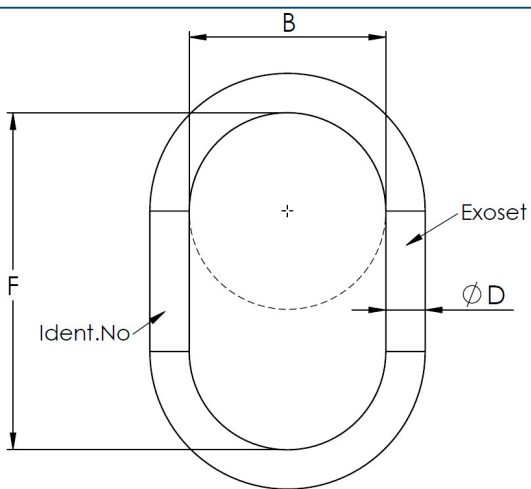
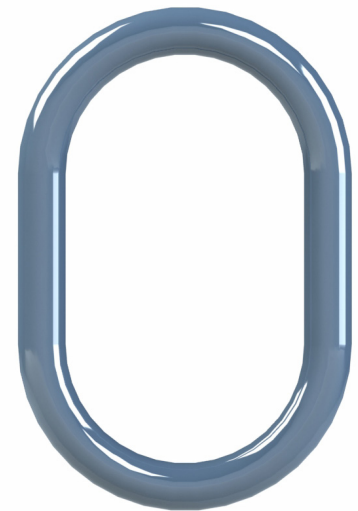

CHAIN ACCESSORIES
XO MASTER LINK 1

Master link 1-Leg
Aufhängering 1-strang



- Approx. 30% less weight as Grade 80
- -20°C-200°C: 100%
- 200°C-300°C: 90%
- 300°C-380°C: 60%
- Ral 5001



Art.	Size	WLL	D	F	B	Weight
	mm	ton	mm	mm	mm	kg
CHKR2R-P201A1	6	1,40	13	90	50	0,29
CHKR1R-P202A1	8	2,50	16	110	60	0,53
CHKR2R-P202A1	10	4,00	18	130	70	0,79
CHKR1R-P204A1	13	6,70	22	160	90	1,50
CHKR2R-P204A1	16	10,00	26	180	100	2,30
