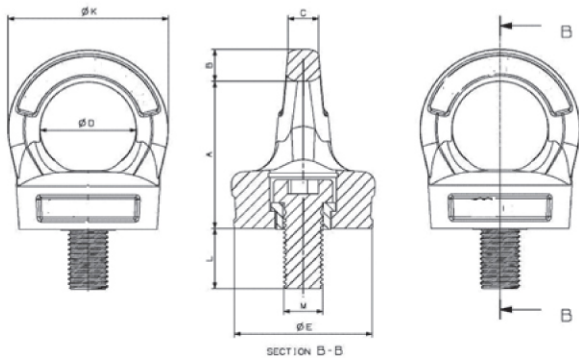


Cartec 807 Rotating Eye Bolt H.Q.

| Part No. | WLL | Size | A | B | C | D | E | K | L | Mass |
|----------|--------|------|------|----|------|-----|-----|-----|----|------|
| UNI | tonnes | mm | mm | mm | mm | Ømm | Ømm | Ømm | mm | kg |
| 2254 08 | 0.3 | M8 | 44.5 | 8 | 10 | 29 | 32 | 45 | 12 | 0.3 |
| 2254 10 | 0.4 | M10 | 44.5 | 8 | 10 | 29 | 32 | 45 | 16 | 0.3 |
| 2254 12 | 0.75 | M12 | 53.5 | 11 | 11 | 34 | 44 | 56 | 18 | 0.46 |
| 2254 16 | 1.5 | M16 | 56.5 | 13 | 14.5 | 39 | 56 | 65 | 24 | 0.9 |
| 2254 20 | 2.5 | M20 | 67 | 14 | 17 | 42 | 58 | 70 | 30 | 1.15 |
| 2254 24 | 3.2 | M24 | 80 | 18 | 19 | 52 | 73 | 88 | 36 | 2.05 |
| 2254 30 | 4.5 | M30 | 101 | 22 | 27 | 62 | 80 | 106 | 43 | 4.0 |
| 2254 36 | 7.0 | M36 | 125 | 37 | 38 | 80 | 95 | 154 | 54 | 6.7 |
| 2254 42 | 9.0 | M42 | 148 | 40 | 41 | 90 | 105 | 170 | 64 | 9.5 |
| 2254 48 | 12.0 | M48 | 165 | 45 | 47 | 95 | 120 | 185 | 72 | 13.4 |

807 Hex Key

| Part No. | Size |
|----------|------|
| UNI | mm |
| 2254 08 | M8 |
| 2254 10 | M10 |
| 2254 12 | M12 |
| 2254 16 | M16 |
| 2254 20 | M20 |
| 2254 24 | M24 |
| 2254 30 | M30 |
| 2254 36 | M36 |
| 2254 42 | M42 |
| 2254 48 | M48 |



W.L.L (tonnes)



| Part No. | WLL | Size | 1 leg | 2 leg | 1 leg | 2 leg | 2 leg | 2 leg | 2 leg | 4 leg | 4 leg | 4 leg | Tighten |
|----------|--------|------|-------|-------|-------|-------|--------|---------|--------|--------|---------|--------|---------|
| UNI | tonnes | mm | 0° | 0° | 90° | 90° | 0°-45° | 45°-60° | assym. | 0°-45° | 45°-60° | assym. | Nm |
| 2254 08 | 0.3 | M8 | 1.0 | 2.0 | 0.3 | 0.6 | 0.42 | 0.3 | 0.3 | 0.63 | 0.45 | 0.3 | 8 |
| 2254 10 | 0.4 | M10 | 1.0 | 2.0 | 0.4 | 0.8 | 0.56 | 0.4 | 0.4 | 0.84 | 0.6 | 0.4 | 16 |
| 2254 12 | 0.75 | M12 | 2.0 | 4.0 | 0.75 | 1.5 | 1.0 | 0.75 | 0.75 | 1.6 | 1.12 | 0.75 | 28 |
| 2254 16 | 1.5 | M16 | 4.0 | 8.0 | 1.5 | 3.0 | 2.0 | 1.5 | 1.5 | 3.15 | 2.25 | 1.5 | 70 |
| 2254 20 | 2.5 | M20 | 6.0 | 12.0 | 2.3 | 4.6 | 3.22 | 2.3 | 2.3 | 4.83 | 3.45 | 2.3 | 135 |
| 2254 24 | 3.2 | M24 | 8.0 | 16.0 | 3.2 | 6.4 | 4.48 | 3.2 | 3.2 | 6.7 | 4.8 | 3.2 | 230 |
| 2254 30 | 4.5 | M30 | 12.0 | 24.0 | 4.5 | 9.0 | 6.3 | 4.5 | 4.5 | 9.4 | 6.7 | 4.5 | 465 |
| 2254 36 | 7.0 | M36 | 16.0 | 32.0 | 7.0 | 14.0 | 9.8 | 7.0 | 7.0 | 14.7 | 10.5 | 7.0 | 814 |
| 2254 42 | 9.0 | M42 | 24.0 | 45.0 | 9.0 | 18.0 | 12.6 | 9.0 | 9.0 | 18.9 | 13.5 | 9.0 | 1304 |
| 2254 48 | 12.0 | M48 | 32.0 | 64.0 | 12.0 | 24.0 | 16.8 | 12.0 | 12.0 | 25.2 | 18.0 | 12.0 | 1981 |

